

## **Replacing the saw motor**

### **GENERAL OBSERVATIONS**

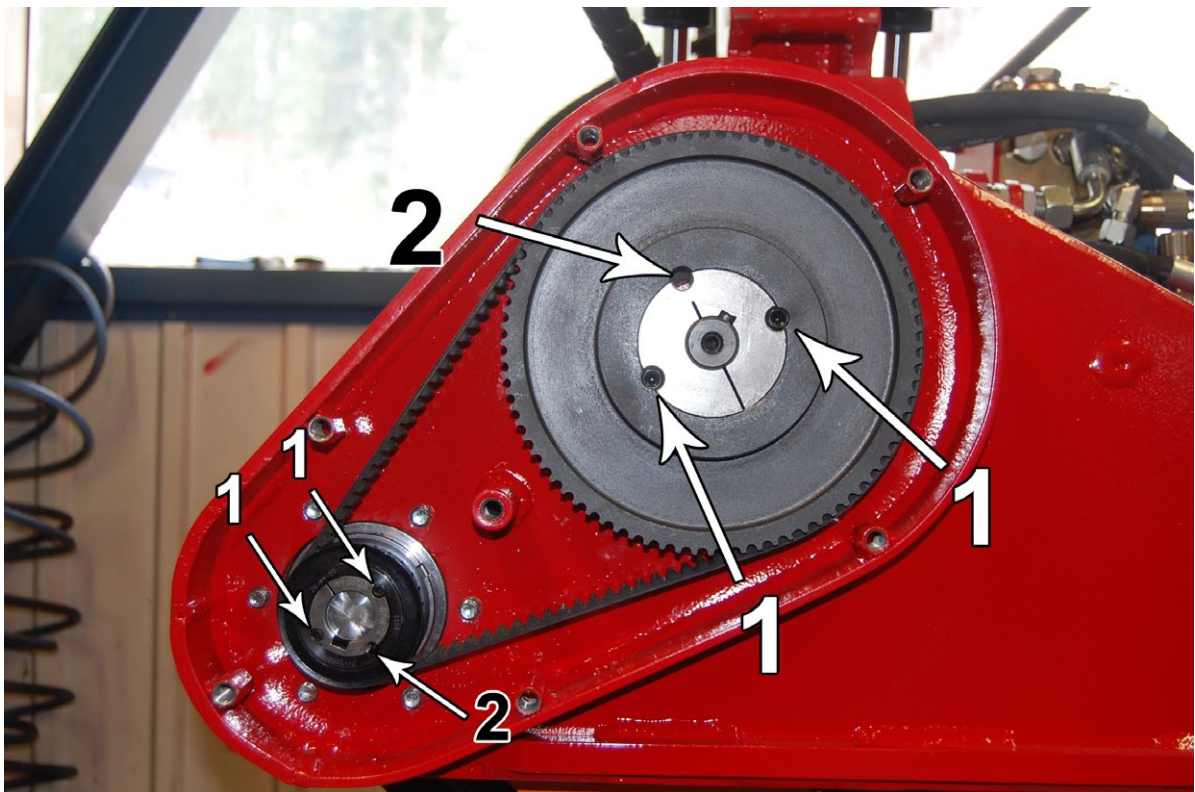
- *The machine always has to be turned off during service and repairs.*
  - *Make sure no oil gets in contact with the drive belt.*
  - *Make notes of any hydraulic connections that are removed.*  
*This way they are easier to get back in the right place when the new motor is in place.*
- .....

Open the lid on the saw unit.

Remove the bigger drive wheel, by unscrewing the two screws (No. 1) holding it.

Then use one of the screws (No. 1) in the third hole (No. 2) to press the wheel outward and finally off the axle.

Remove the drive belt.



Repeat these steps with the smaller wheel.

Remove the saw bar-holder by unscrewing the **six bolts** holding it. After this remove the cylinder.



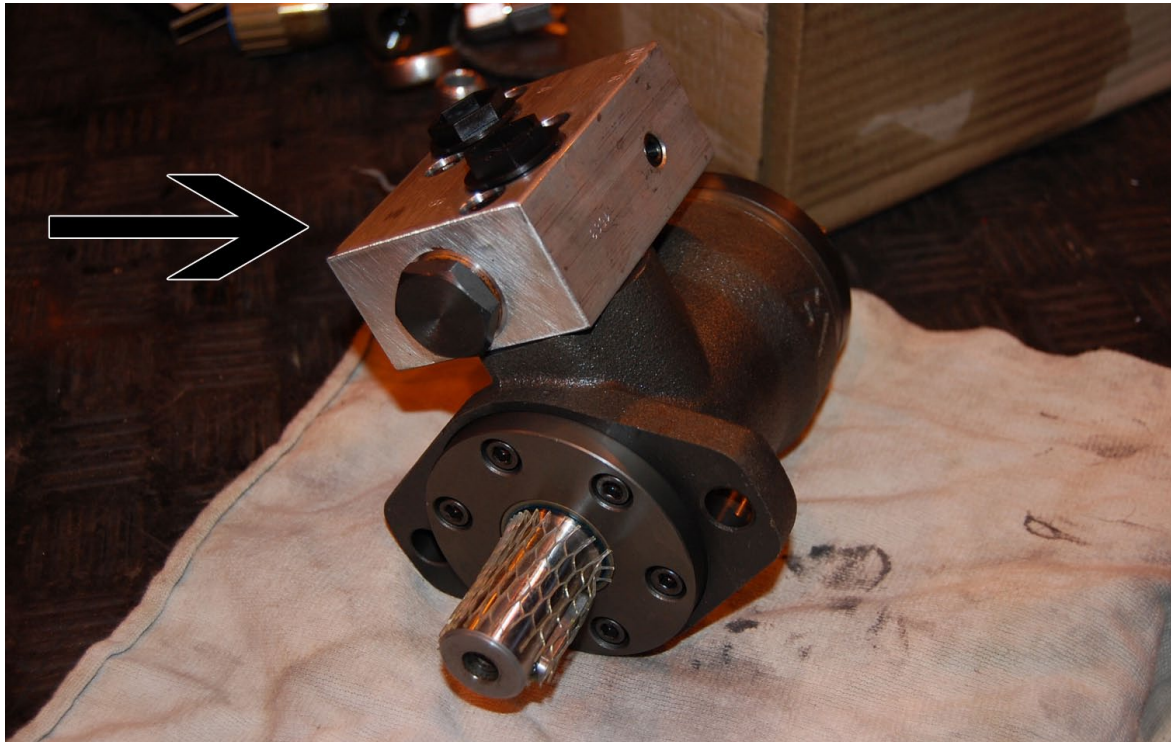
Before removing the saw motor, make detailed notes of how the hydraulic lines are connected, to easier get them back in the right place.

Remove the hydraulic lines, and then the saw motor (**2 bolts**).



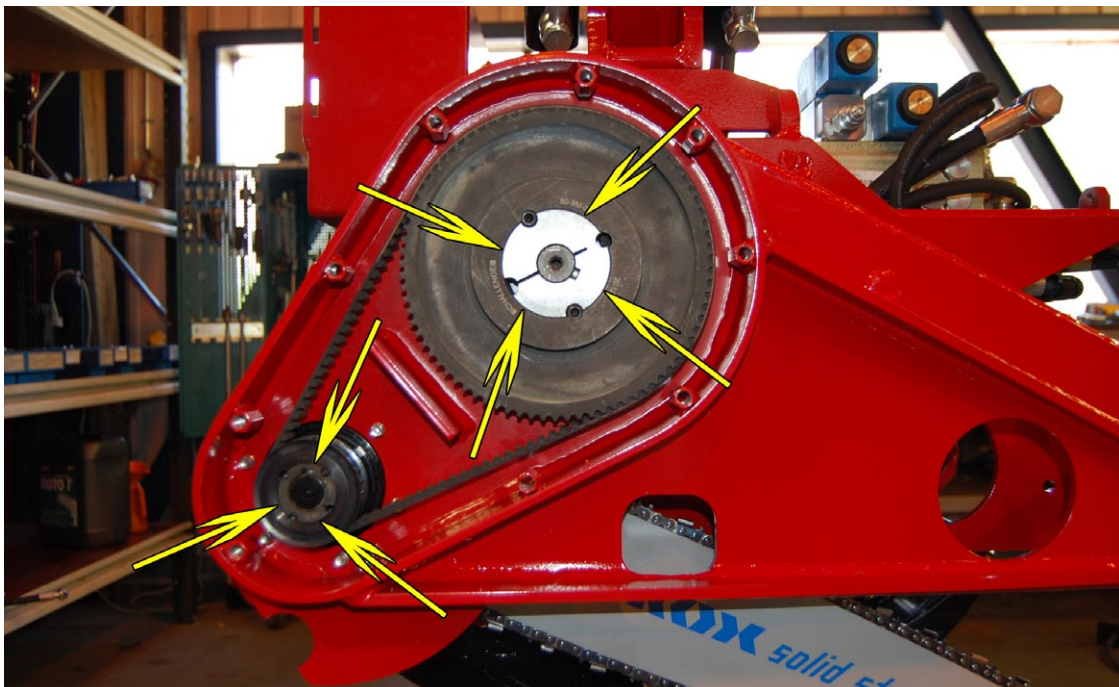


Move the hydraulic block from the old saw motor to the new one.  
It's important that this is mounted on the same way as before, with the plugged hole facing the same direction as the axle.



***Reassemble the parts in reverse order to this description.***

***Remember to put some oil (NOT vaseline) between the drive wheel and the center piece of the drive wheel when you reassemble the parts.***

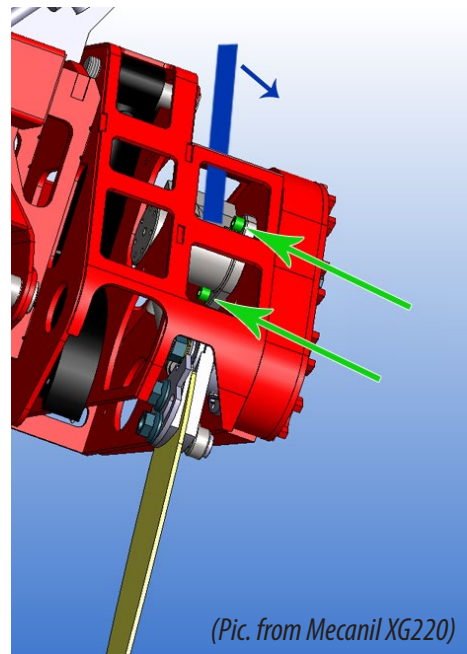
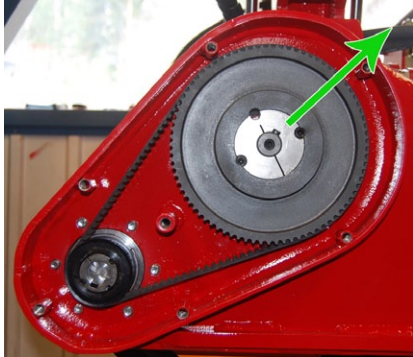


***After reassembly check the tightness of the belt, check again after about 1 hour.  
See next page.***



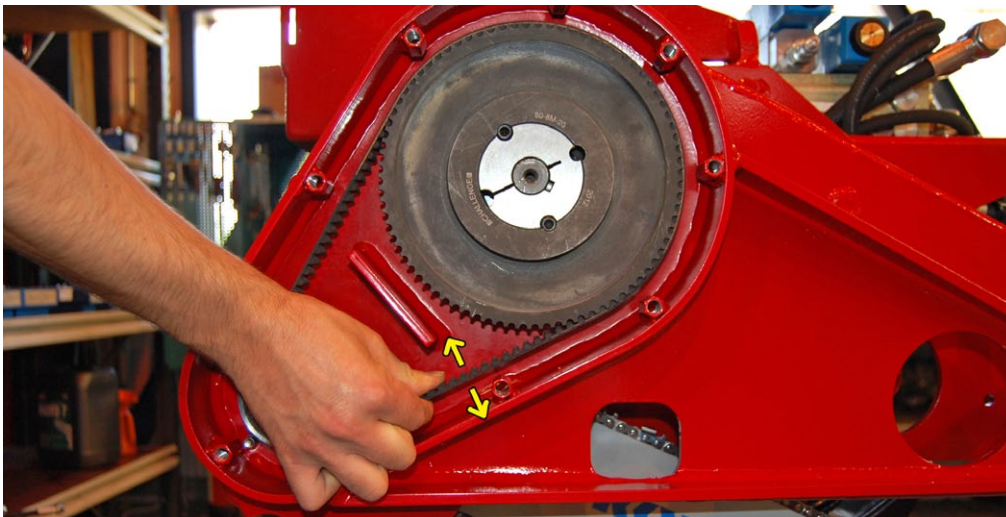
## Tensioning the saw drive belt

- Loosen the bolts (2 pcs.).  
Colored green in the picture to the right.
- Tension the sawmotor diagonally upwards with a suitable tool. (blue arrow), in the direction of the green arrow in the picture below.



***When you have tightened the belt you can check the following:***

***You should be able to move the belt about 5 mm to both sides (totally about 1 cm) when you really try to push the belt. It should not be easy to push the belt from side to side.***



***You should also (with strong force) be able to turn the bigger drive wheel with both hands when the chain is loosened from the saw bar.***

***You will not be able to turn the drive wheel if the chain is on the saw bar.***

